

MODEL: LA-220

| | |
|----------------------------|---|
| ANSI RATING: | ANSI Z 245.60-1996 |
| LIFT TYPE: | CYLINDER |
| HYDRAULIC FLOW: | 2 - 3 GPM |
| CYCLE TIME: | 8-10 SECONDS |
| MAX. LOAD WEIGHT: | 400 LBS (180 KG) |
| OPTIONS: | TAP-IN-KIT |
| HYDRAULIC PRESSURE: | WORKING PRESSURE - 1800 PSI - 2100 PSI |
| CART COMPATIBILITY: | TYPE B CARTS (DOMESTIC STYLE 2-BAR) |

**Compact Extra Long Arm Tipper**

The **C-220** dumps deeper inside the hopper to prevent spillage and dumps higher to reduce the need to cycle the packer blade. The **C-220** dumps deeper inside the hopper to prevent spillage and dumps higher to reduce the need to cycle the packer blade.

- Cylinder-powered Tipper delivers all the performance you need, (up to 800 cycles per shift.)
- Thin profile for mounting on side loaders.
- Lifts most Domestic Style 2-wheeled Carts (up to 95 gal. - 360 liters) - accommodates manual loading as well.
- Original sweeping action automatically adjusts to varying heights and uneven terrain allowing operators to mount carts securely onto the Tipper lifting hook.
- The C-220 dumps deeper inside the hopper to prevent spillage and dumps higher to reduce the need to cycle the packer blade.
- Cannot be damaged by side loader packer blade.
- Trunnion-mounted cylinder makes for easier mounting.

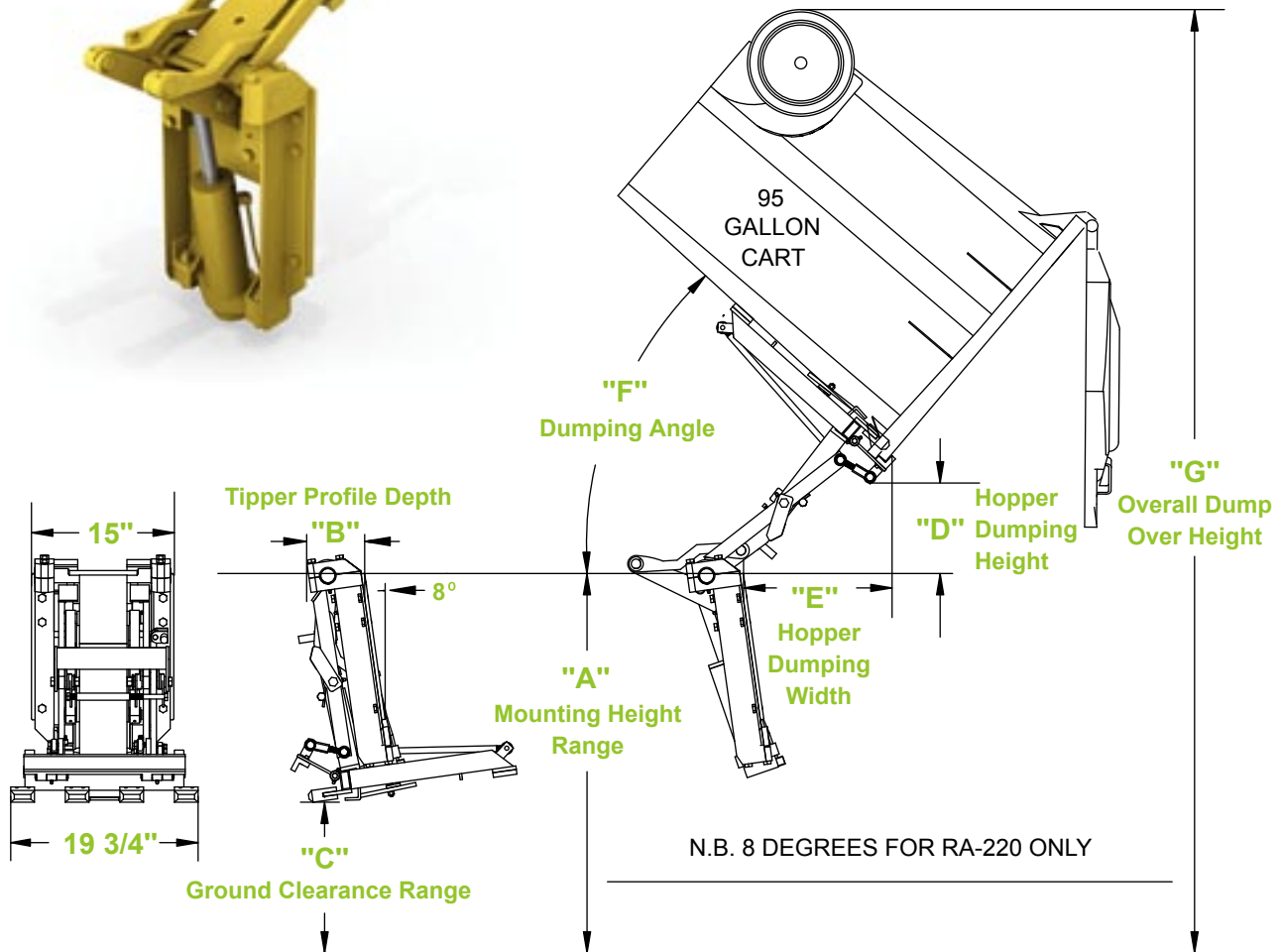
Specifications are subject to change without any notice or obligation on the part of the manufacturer. While due caution has been exercised in the production of this document, possible errors and omissions are unintentional.



C-220 SERIES



The **C-220** dumps deeper inside the hopper to prevent spillage and dumps higher to reduce the need to cycle the packer blade. The C-220 dumps deeper inside the hopper to prevent spillage and dumps higher to reduce the need to cycle the packer blade.



| MODEL | "A" DIM. | "B" DIM. | "C" DIM. | "D" DIM. | "E" DIM. | "F" DIM. | "G" DIM. |
|---------------------|----------|----------|-------------------|----------|----------|----------|---------------------|
| RA-220 Rear loader | 38 - 44" | 6" | 15 1/2" - 21 1/2" | 9" | 16" | 45° | 97" - 103" |
| LA-220 Side loader | 42 - 47" | 6" | 19 1/4" - 24 1/4" | 9" | 19" | 50° | 101" - 106" |
| LXA-220 Side loader | 42 - 47" | 6" | 14 3/4" - 19 3/4" | 17" | 18" | 45° | 109 1/2" - 114 1/2" |

Dimensions accommodate most ANSI Z245.60-1996 Type B Carts (Domestic Style 2-Bar) and most ANSI Z245.60-1996 Type C Carts (European Style) Containers, but may vary due to container specifications or applications. All dimensions are approximate.



Toll Free: 1-800-711-6188