

**MODEL: LE-330**

<b>ANSI RATING:</b>	<b>ANSI Z 245.60-1996</b>
<b>LIFT TYPE:</b>	<b>CYLINDER</b>
<b>HYDRAULIC FLOW:</b>	<b>2 - 3 GPM</b>
<b>CYCLE TIME:</b>	<b>8-10 SECONDS</b>
<b>MAX. LOAD WEIGHT:</b>	<b>350 LBS</b>
<b>OPTIONS:</b>	<b>TAP-IN-KIT</b>
<b>HYDRAULIC PRESSURE:</b>	<b>WORKING PRESSURE - 1800 PSI - 2100 PSI</b>
<b>CART COMPATIBILITY:</b>	<b>TYPE C CARTS (EUROPEAN STYLE)</b>

**Designed for High Sill Applications**

The **C-330** lifts and dumps higher to reduce the need to cycle the packer blade. Mounts to most side loaders on a removable mounting plate with minimal cutting into the sill, for easy maintenance and replacement. Lifts most Euro Style 2-wheeled Carts (up to 95 gal. - 360 liters).

- Cylinder-powered Tipper delivers all the performance you need, (up to 800 cycles per shift.)
- The C-330 lifts and dumps higher to reduce the need to cycle the packer blade.
- Mounts to most side loaders on a removable mounting plate with minimal cutting into the sill, for easy maintenance and replacement.
- Lifts most Euro Style 2-wheeled Carts (up to 95 gal. - 360 liters) - accommodates manual loading as well.
- Unique lifting motion automatically adjusts to varying heights and uneven terrain allowing operators to mount carts securely onto the Tipper lifting hook.
- Trunnion-mounted cylinder makes for easier mounting.

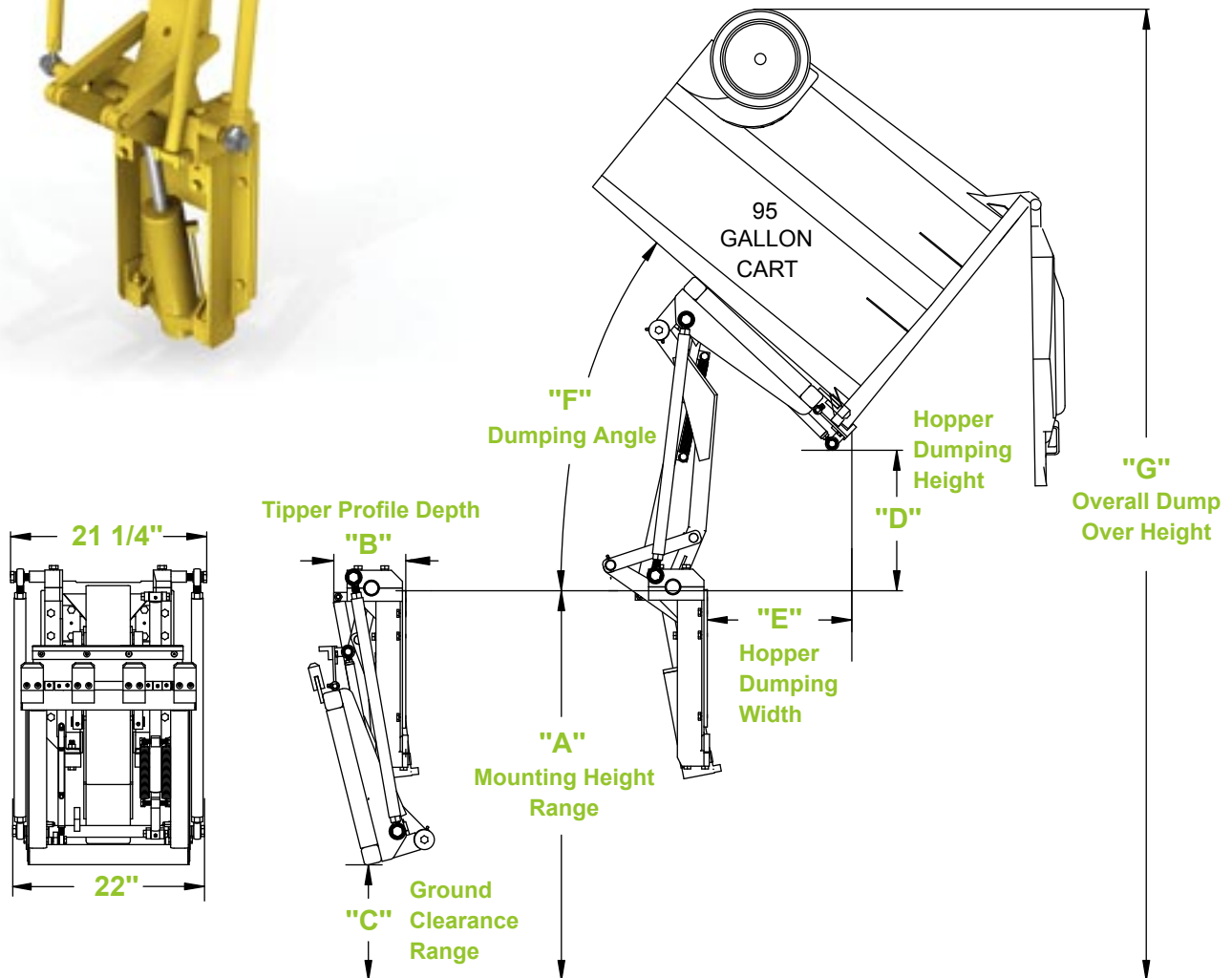
Specifications are subject to change without any notice or obligation on the part of the manufacturer. While due caution has been exercised in the production of this document, possible errors and omissions are unintentional.



# C-330 SERIES



The **C-330** lifts and dumps higher to reduce the need to cycle the packer blade. Mounts to most side loaders on a removable mounting plate with minimal cutting into the sill, for easy maintenance and replacement. Lifts most Euro Style 2-wheeled Carts (up to 95 gal. - 360 liters).



MODEL	"A" DIM.	"B" DIM.	"C" DIM.	"D" DIM.	"E" DIM.	"F" DIM.	"G" DIM.
LE-330 Side loader	44 - 47"	8"	14 1/2" - 17 1/2"	23"	15"	40°	109 1/2" - 112 1/2"

Dimensions accommodate most ANSI Z245.60-1996 Type B Carts (Domestic Style 2-Bar) and most ANSI Z245.60-1996 Type C Carts (European Style) Containers, but may vary due to container specifications or applications. All dimensions are approximate.



**Toll Free: 1-800-711-6188**