**MODEL: LEF-220**

<b>ANSI RATING:</b>	<b>ANSI Z 245.60-1996</b>
<b>LIFT TYPE:</b>	<b>CYLINDER</b>
<b>HYDRAULIC FLOW:</b>	<b>2 - 3 GPM</b>
<b>CYCLE TIME:</b>	<b>8-10 SECONDS</b>
<b>MAX. LOAD WEIGHT:</b>	<b>650 LBS</b>
<b>OPTIONS:</b>	<b>TAP-IN-KIT</b>
<b>CART COMPATIBILITY:</b>	<b>TYPE C CARTS (EUROPEAN STYLE)</b>

**Maximize Your Front Loader's Versatility**

- Cylinder-powered Tipper delivers all the performance you need, (up to 800 cycles per shift.)  
The CC-220 mounts to front-load carry can via a removable mounting plate for easy maintenance and replacement, (F-220 units are used for rear or side loaders.)
- Lifts most Euro Style 2-wheeled Carts (up to 95 gal. - 360 liters) - accommodates manual loading as well.
- Original sweeping action automatically adjusts to varying heights and uneven terrain allowing operators to mount carts securely onto the Tipper lifting hook.
- Simply disengage the carry can for a quick commercial pick-up.
- Turns any commercial front-loader into a residential collection unit.
- Used for heavy duty front-load carry can applications.
- Dumps deep inside the carry can to prevent spillage.
- This system will give your front loader more versatility than ever before. This durable welded steel container equipped with the CC-220 cart Tipper will perform with the dependability you expect.
- 4 cubic yard carry can capacity is large enough for bulky items and allows the driver unobstructed view for a safe operation.

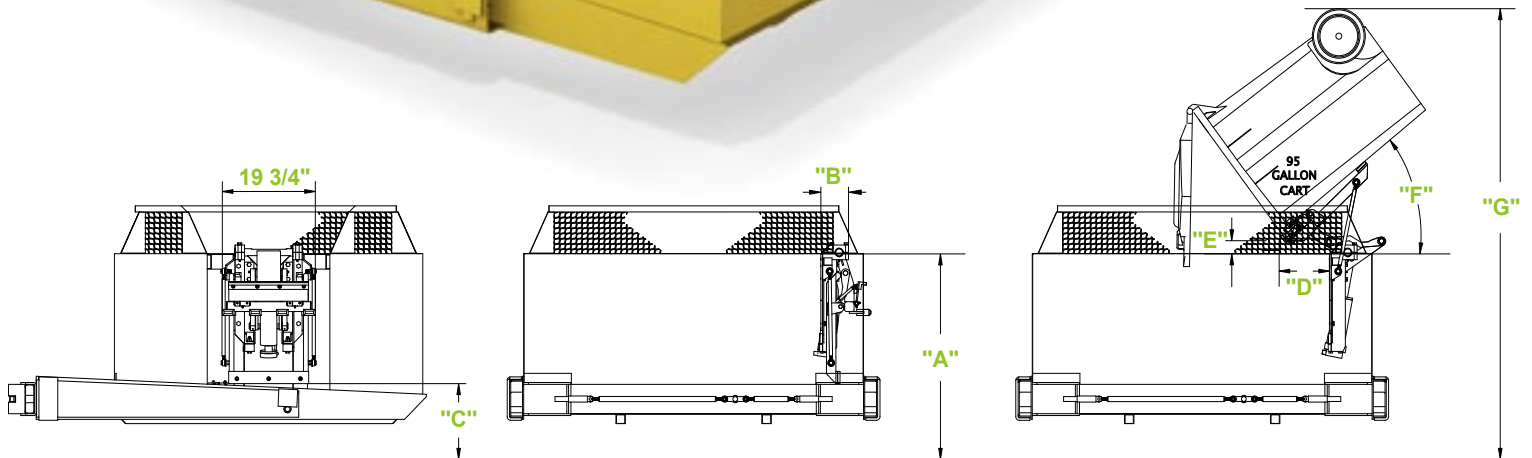
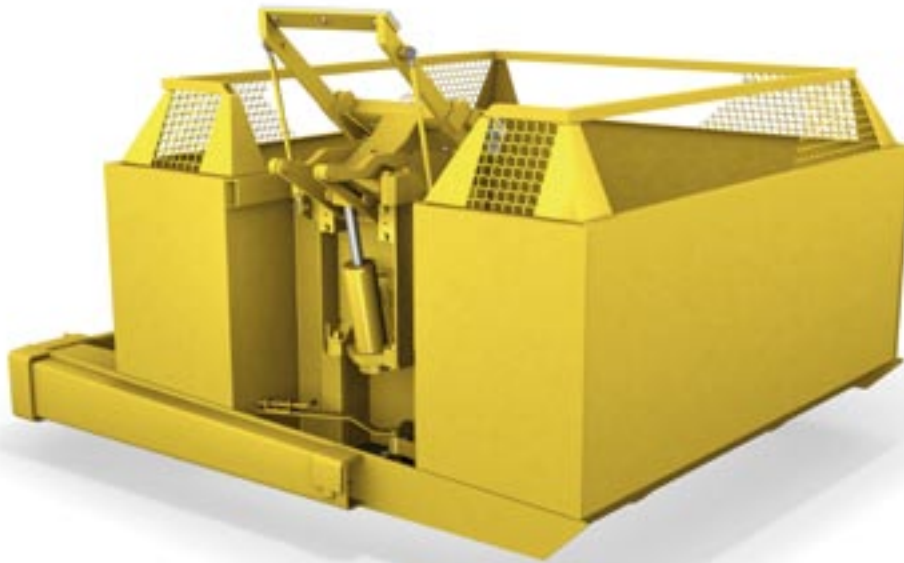
Specifications are subject to change without any notice or obligation on the part of the manufacturer. While due caution has been exercised in the production of this document, possible errors and omissions are unintentional.



# CC-220 SERIES



The **CC-220** mounts to front-load carry can via a removable mounting plate for easy maintenance and replacement. 4 cubic yard carry can capacity is large enough for bulky items and allows the driver unobstructed view for a safe operation. Simply disengage the carry can for a quick commercial pick-up.



Specifications

MODEL	"A" DIM.	"B" DIM.	"C" DIM.	"D" DIM.	"E" DIM.	"F" DIM.	"G" DIM.
LEF-220 Front loader	42 - 45"	6"	14 1/2" - 17 1/2"	12 1/2"	2 5/8"	45°	94 1/4" - 97 1/4"
LAF-220 Front loader	42 - 45"	6"	14 1/2" - 17 1/2"	12 1/2"	2 5/8"	45°	94 1/4" - 97 1/4"

Dimensions accommodate most ANSI Z245.60-1996 Type B Carts (Domestic Style 2-Bar) and most ANSI Z245.60-1996 Type C Carts (European Style) Containers, but may vary due to container specifications or applications. All dimensions are approximate.



**Toll Free: 1-800-711-6188**