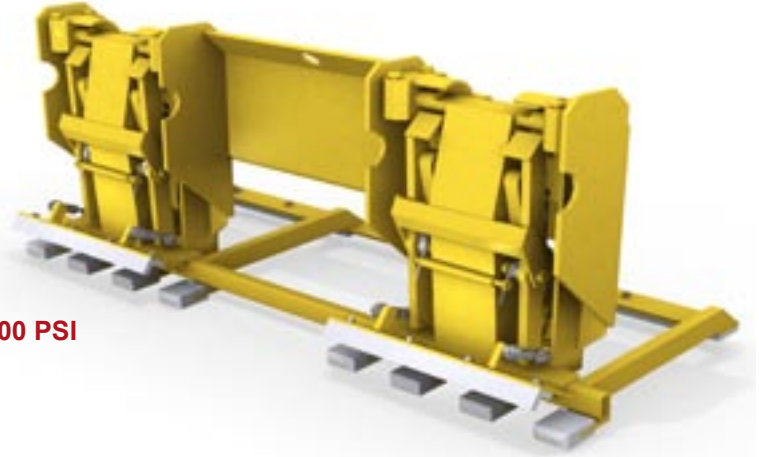


MODEL: RDE-220M

ANSI RATING:	ANSI Z 245.60-1996
LIFT TYPE:	CYLINDER
HYDRAULIC FLOW:	4 - 6 GPM
CYCLE TIME:	8-10 SECONDS
MAX. LOAD WEIGHT:	800 LBS
OPTIONS:	TAP-IN-KIT
HYDRAULIC PRESSURE:	WORKING PRESSURE - 1800 PSI - 2100 PSI
CART COMPATIBILITY:	TYPE C CARTS (EUROPEAN STYLE) 4-WHEELED CONTAINERS

**High Efficiency Design**

- Cylinder-powered Tipper delivers all the performance you need, (up to 800 cycles per shift.)
- The D-220 is designed to grab either one or two 2-wheeled Carts at the same time.
- Lifts most Euro Style 2-wheeled Carts and 4-wheeled Containers including Trunnion lifts (up to 290 gal.-1100 liters) - accommodates manual loading as well.
- Unique Trunnion cover opener system does away with protruding folding arms.
- Mounts on a removable mounting plate with minimal cutting into the sill, for easy maintenance and replacement.
- Original sweeping action automatically adjusts to varying heights and uneven terrain allowing operators to mount carts or containers securely onto the Tipper lifting hook.
- Dumps deeper inside the hopper to prevent spillage and dumps higher to reduce the need to cycle the packer blade.
- Does not interfere with commercial container lifts, tipper/kick bars or overhead winch mechanisms on rear loaders.
- Trunnion-mounted cylinder makes for easier mounting.

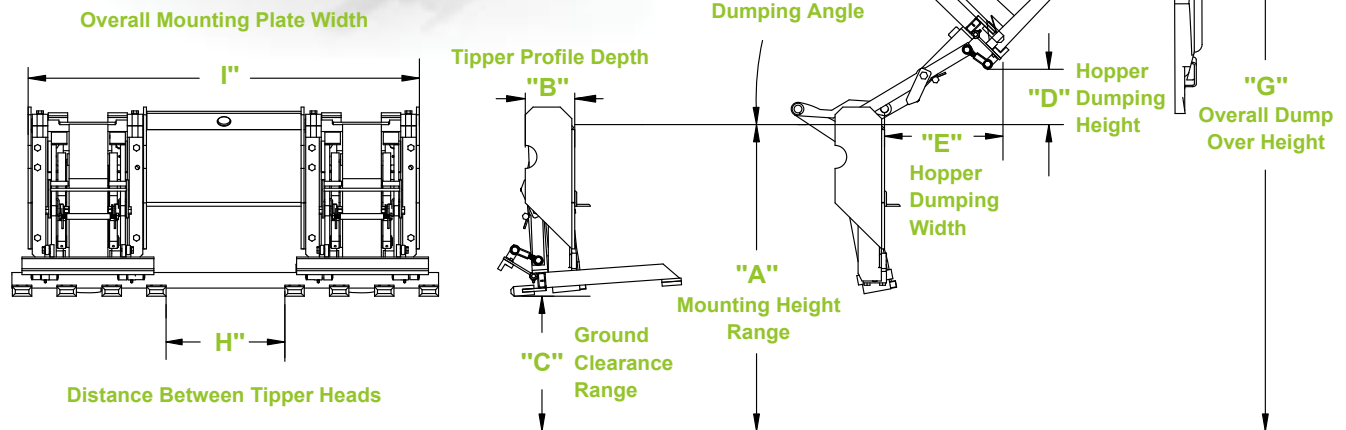
Specifications are subject to change without any notice or obligation on the part of the manufacturer. While due caution has been exercised in the production of this document, possible errors and omissions are unintentional.



D-220 SERIES



The **D-220** is designed to grab either one or two 2-wheeled Carts at the same time. Unique Trunnion cover opener system does away with protruding folding arms. Thin profile for mounting on side loaders. Lifts most Euro Style 2-wheeled Carts and 4-wheeled Containers.



MODEL	"A" DIM.	"B" DIM.	"C" DIM.	"D" DIM.	"E" DIM.	"F" DIM.	"G" DIM.	"H" DIM.	"I" DIM.
RDT-220M Rear	38 - 44"	6 3/8"	16 1/2" - 22 1/2"	10"	17 1/4"	50°	97" - 103"	15 5/16"	50 7/16"
RDT-220 Rear	38 - 44"	6 3/8"	16 1/2" - 22 1/2"	10"	17 1/4"	50°	97" - 103"	5 5/8"	30"
LDT-220 Side	42 - 47"	6"	14 1/2" - 17 1/2"	15 1/2"	20"	45°	104 3/4" - 109 3/4"	5 5/8"	30"
RDE-220M Rear	38 - 44"	6 3/8"	15 1/2" - 21 1/2"	7"	15 1/4"	50°	95 1/2" - 101 1/2"	15 5/16"	50 7/16"
RDE-220 Rear	38 - 44"	6 3/8"	15 1/2" - 21 1/2"	7"	15 1/4"	50°	95 1/2" - 101 1/2"	5 5/8"	30"
LDE-220 Side	42 - 47"	6"	13 1/2" - 18 1/2"	11 1/2"	18"	45°	103 1/4" - 108 1/4"	5 5/8"	30"
RDA-220M Rear	38 - 44"	6 3/8"	17" - 22"	6"	19"	50°	93" - 99"	N/A	50 7/16"
RDA-220 Rear	38 - 44"	6 3/8"	17" - 22"	6"	19"	50°	93" - 99"	N/A	30"
LDA-220 Side	42 - 47"	6"	11 1/2" - 16 1/2"	10 1/2"	17"	45°	101 1/4" - 106 1/4"	N/A	30"

Dimensions accommodate most ANSI Z245.60-1996 Type B Carts (Domestic Style 2-Bar) and most ANSI Z245.60-1996 Type C Carts (European Style) Containers, but may vary due to container specifications or applications. All dimensions are approximate.



Toll Free: 1-800-711-6188