

**MODEL: LDA-330**

<b>ANSI RATING:</b>	<b>ANSI Z 245.60-1996</b>
<b>LIFT TYPE:</b>	<b>CYLINDER</b>
<b>HYDRAULIC FLOW:</b>	<b>4 - 6 GPM</b>
<b>CYCLE TIME:</b>	<b>8-10 SECONDS</b>
<b>MAX. LOAD WEIGHT:</b>	<b>700 LBS</b>
<b>OPTIONS:</b>	<b>TAP-IN-KIT</b>
<b>HYDRAULIC PRESSURE:</b>	<b>WORKING PRESSURE - 1800 PSI - 2100 PSI</b>
<b>CART COMPATIBILITY:</b>	<b>TYPE B CARTS (DOMESTIC STYLE 2-BAR)</b>

**Designed for High Lift Performance**

The **D-330** lifts and dumps higher to reduce the need to cycle the packer blade. The **D-330** is designed to grab either one or two 2-wheeled Carts at the same time. Unique lifting motion automatically adjusts to varying heights and uneven terrain allowing operators to mount carts securely onto the Tipper lifting hook.

- Cylinder-powered Tipper delivers all the performance you need, (up to 800 cycles per shift.)
- Mounts to most rear or side loaders on a removable mounting plate with minimal cutting into the sill, for easy maintenance and replacement.
- Lifts most Domestic Style 2-wheeled Carts (up to 95 gal. - 360 liters) - accommodates manual loading as well.
- The D-330 is designed to grab either one or two 2-wheeled Carts at the same time.
- Unique lifting motion automatically adjusts to varying heights and uneven terrain allowing operators to mount carts securely onto the Tipper lifting hook.
- The D-330 lifts and dumps higher to reduce the need to cycle the packer blade.
- Cannot be damaged by the packer blade.
- Trunnion-mounted cylinder makes for easier mounting.

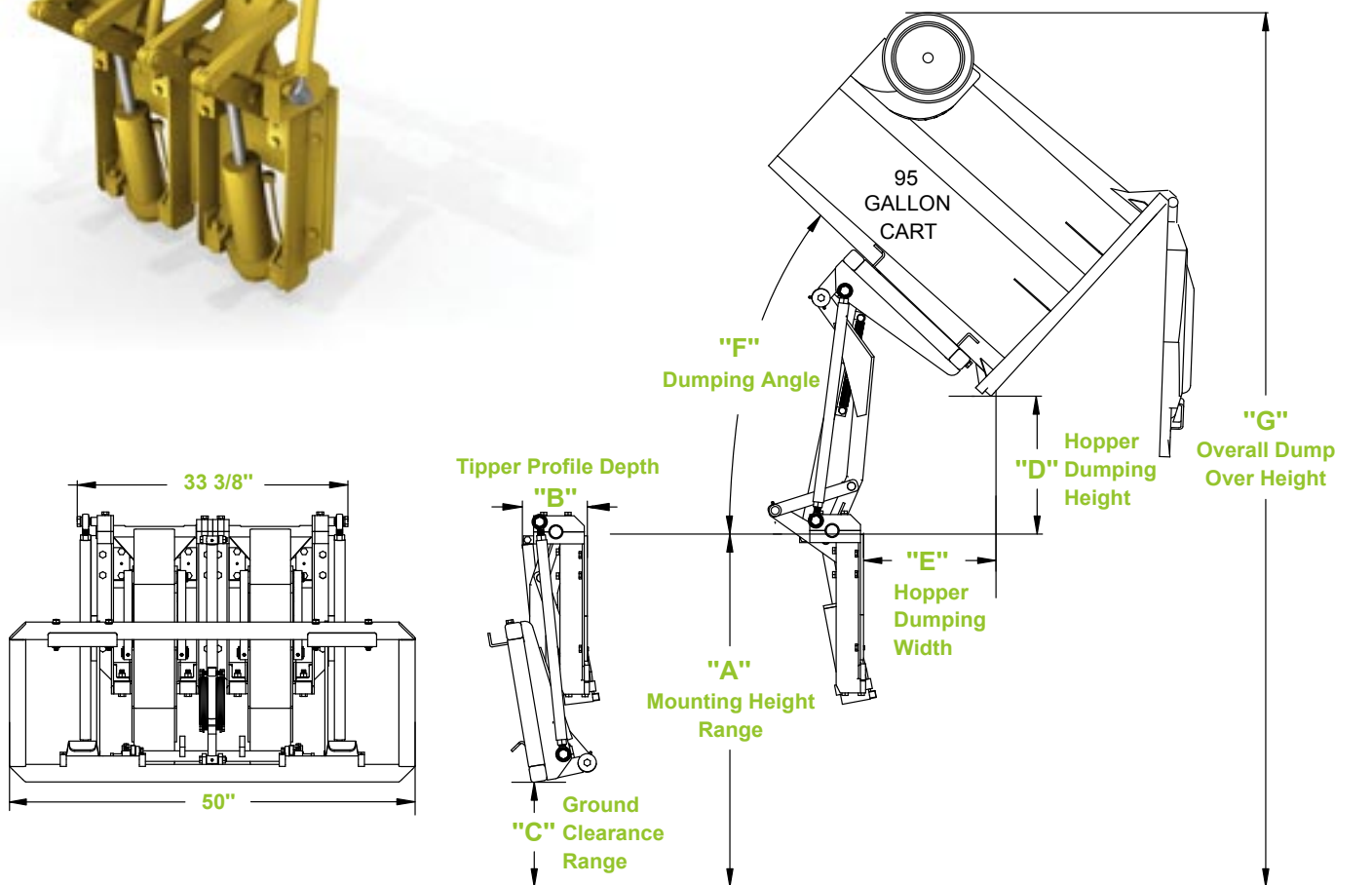
Specifications are subject to change without any notice or obligation on the part of the manufacturer. While due caution has been exercised in the production of this document, possible errors and omissions are unintentional.



# D-330 SERIES



The **D-330** lifts and dumps higher to reduce the need to cycle the packer blade. The D-330 is designed to grab either one or two 2-wheeled Carts at the same time. Unique lifting motion automatically adjusts to varying heights and uneven terrain allowing operators to mount carts securely onto the Tipper lifting hook.



MODEL	"A" DIM.	"B" DIM.	"C" DIM.	"D" DIM.	"E" DIM.	"F" DIM.	"G" DIM.
LDT-330 Side loader	44 - 47"	8"	14 1/2" - 17 1/2"	23"	15"	40°	109 1/2" - 112 1/2"
LDE-330 Side loader	44- 47"	8"	14 1/2" - 17 1/2"	23"	15"	44°	109 1/2" - 112 1/2"
LDA-330 Side loader	44 - 47"	8"	14 1/2" - 17 1/2"	23"	15"	40°	109 1/2" - 112 1/2"

Dimensions accommodate most ANSI Z245.60-1996 Type B Carts (Domestic Style 2-Bar) and most ANSI Z245.60-1996 Type C Carts (European Style) Containers, but may vary due to container specifications or applications. All dimensions are approximate.



**Toll Free: 1-800-711-6188**