

MOUNTED ON EQUIPMENT

CONTAINER CAPACITY	35-95 GAL (140-360 LITERS)
MAX. LOAD WEIGHT	UP TO 500 LBS (227 KG)
DUMPING HEIGHT	4 - 20 FEET
LIFT MECHANISM	HYDRAULIC MOTOR
CONTAINER TYPE	2-WHEEL DOMESTIC (2-BAR) CARTS 2-WHEEL EUROPEAN CARTS, GAYLORDS, DRUMS, BARRELS, BASKETS & OTHERS

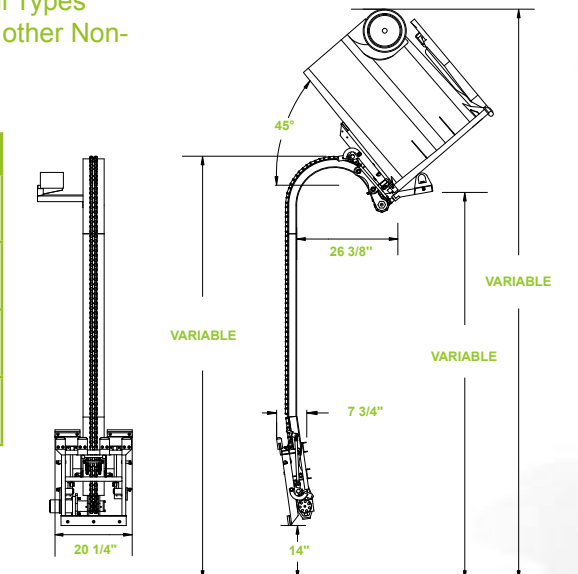
Versatile Compact Design Gives You Multi-Use Capabilities

The CD-210 is designed To lift and dump 2-Wheel Carts and other Containers of up to 500 lbs. With variable discharge heights from 4 - 20 feet, CD-210 units are hydraulic powered.

- Lifts standard 2-Wheel Domestic and Euro Style Carts, 35 - 95 gal. (140 - 360 liters).
- Candy cane design dumps deep inside the hopper.
- Unique and versatile lifter designed for dumping waste or recyclables into compactors, shredders, crushers, or any other processing, transfer or material handling equipment.
- Stand must be bolted to equipment.
- Up to 45-degree Dump Angle for complete container emptying.

Custom Adapters Available to Accomodate all Types and Sizes of Drums, Barrels, Baskets or any other Non-Standard Carts or Containers.

Model	Compatible Containers
CD-210-CT	2-Wheel Domestic & European Style Carts
CD-210-CE	2-Wheel European Style Carts
CD-210-CA	2-Wheel Domestic Style Carts
CD-210-CC	Gaylords, Drums, Barrels, Baskets & others



CD-210-CE



Specifications are subject to change without any notice or obligation on the part of the manufacturer. While due caution has been exercised in the production of this document, possible errors and omissions are unintentional.